



## STUDIO FRESNEL LED 150W

### FRESNELS LED

Fresnels LED 150W built with aluminum profiles and steel, on modern and compact design, ensuring maximum dissipation and lightweight. Leds available for 3200K° or 5600K°, offering high colour rendering (CRI average >95),

Efficient optical system uses high quality reflector and fresnel lens glass to ensure maximum lighting performance. Saves up to 85% in energy consumption compared to halogen fresnels and a considerable reduction of heat emission.

The FRESNEL LED can be controlled via DMX from the console or manually by a potentiometer located on the control panel of the same fresnel Led. The control panel has an LCD and buttons to set the display DMX address, also select the type of DMX-Manual control, allowing display the percentage of light output and the LED voltage, as well as the temperature inside the equipment and its system electronic, and other parameters.

They are equipped with high quality drivers.

Flicker free, and noiseless turbine, to ensure maximum extension of the lifetime of the LED.

Available models Manual and Pole Operated.

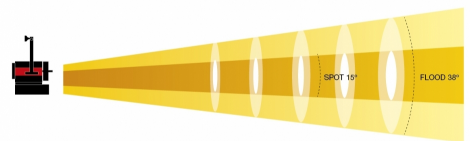
## MODELS

**SPL-150 Manual Operation**  
**SPL-150/PO Pole Operation**

- High power led 150W CRI ? 95.
- Colour temperature 5600K° or 3200K°.
- Full Flicker Free.
- Power requirements 110V-240V 50/60Hz.
- Control method: DMX or Local (manual) dimming.
- Powercom for power daisy chain.
- Fresnel lens Ø 150mm

### FRESNEL SPL-150

| SPOT                |          |          |          |          |          |
|---------------------|----------|----------|----------|----------|----------|
| Distancia           | 4 mts    | 5 mts    | 6 mts    | 7 mts    | 8 mts    |
| Center beam         | 5536 lux | 3667 lux | 2430 lux | 1779 lux | 1351 lux |
| Light beam diameter | 1,30 mts | 1,70 mts | 1,90 mts | 2,10 mts | 2,50 mts |
| CCT                 | 5780     | 5780     | 5780     | 5780     | 5780     |
| CRI                 | 92       | 92       | 92       | 92       | 92       |
| Center beam         | 7134 lux | 4490 lux | 2970 lux | 2230 lux | 1660 lux |
| Light beam diameter | 1,30 mts | 1,70 mts | 1,90 mts | 2,10 mts | 2,50 mts |
| CCT                 | 3150     | 3150     | 3150     | 3150     | 3150     |
| CRI                 | 91,5     | 91,5     | 91,5     | 91,5     | 91,5     |

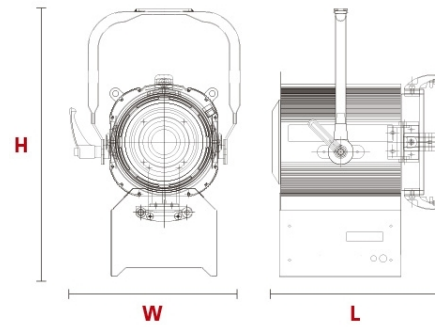


| FLOOD               |          |          |          |          |          |
|---------------------|----------|----------|----------|----------|----------|
| Distancia           | 4 mts    | 5 mts    | 6 mts    | 7 mts    | 8 mts    |
| Center beam         | 2225 lux | 1450 lux | 990 lux  | 750 lux  | 570 lux  |
| Light beam diameter | 2,80 mts | 3,40 mts | 3,90 mts | 4,40 mts | 5,00 mts |
| CCT                 | 5680     | 5680     | 5680     | 5680     | 5680     |
| CRI                 | 92       | 92       | 92       | 92       | 92       |
| Center beam         | 2725 lux | 2225 lux | 1210 lux | 900 lux  | 700 lux  |
| Light beam diameter | 2,80 mts | 3,40 mts | 3,90 mts | 4,40     | 5,00     |
| CCT                 | 3225     | 3225     | 3225     | 3225     | 3225     |
| CRI                 | 91,5     | 91,5     | 91,5     | 91,5     | 91,5     |

**L** 301mm (11.85")

**W** 305mm (12.00")

**H** 480mm (18.89")

**SUPPLIED WITH:**

- Barndoor 8-leaf.
- Colour frame.
- Safety grid.
- 2 m power supply cable.